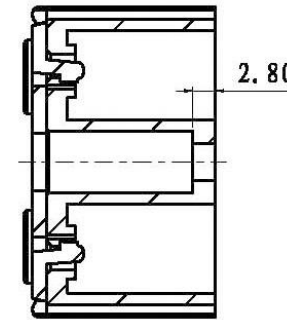
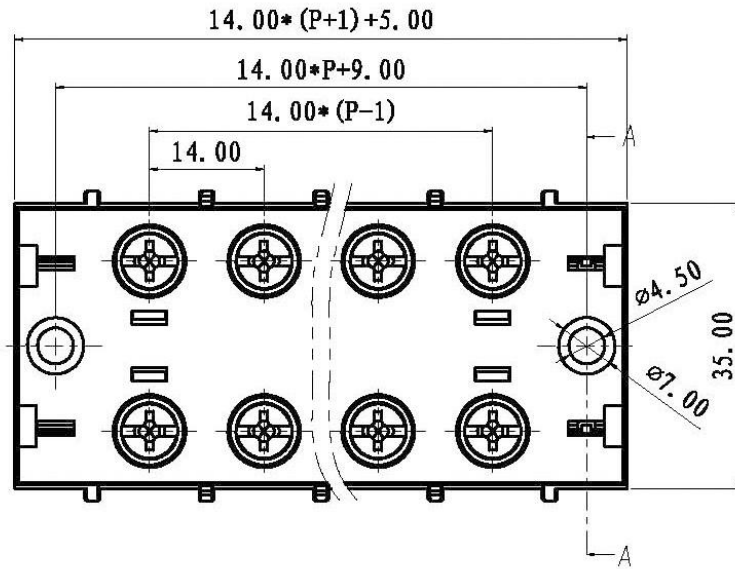
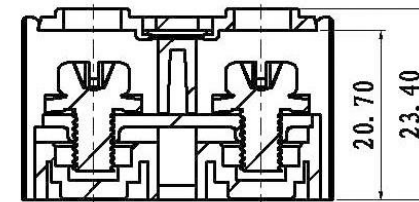
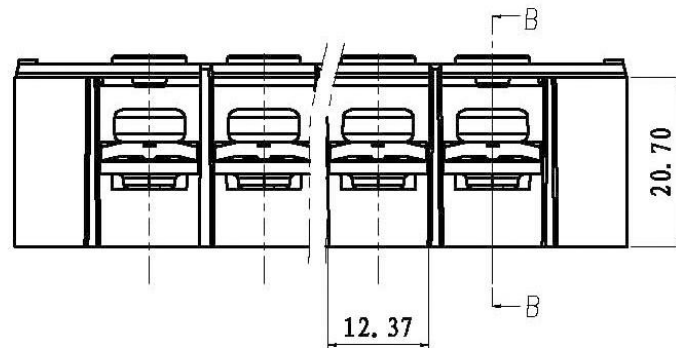


REVISION RECORD			
REV.	CONTENT	MOD.	DATE
▲	初版发行		



SECTION A—A

技术要求:  
 额定电压: 600V  
 额定电流: 35A  
 螺钉类型/扭力: M5/2.0 N.m  
 绝缘材料类型: PC  
 阻燃等级: V1  
 导线截面: 4mm<sup>2</sup>max



SECTION B—B

	pitch dimension			Nominal dimension					— /
	over 0 to 6	over 6 to 10	over 10 to 24	over 0 to 30	over 30 to 60	over 60 to 100	over 100 to 150	— /	
variable range	0 to 6	6 to 10	10 to 24	0 to 30	30 to 60	60 to 100	100 to 150	— /	
Tolerance	±0.1	±0.15	±0.25	±0.2	±0.3	±0.5	±0.7	±1.0	0.05/10

4	M5*10-12*12带垫片螺丝	SPFSA501099V	2P	碳钢	镀蓝白锌
3	JH9-30A导电件	6JH9BDD030AV	P	黄铜	镀镍
2	TB1-45XX-A透明盖	6TB1C700450V	1	PC	透明
1	TB1-35XX-A本体	6TB1C700350V	1	PC	黑色
NO.	NAME OF PART	NO. OF PART	Q'TY	MATERIAL	NOTES
DES.	ZSH	DATE 2016/03/10	UNITS mm	THIRD ANGLE PROJECTION	
CHK.		DATE	SIZE A4	1 of 1	
APP.		DATE	SCALE 1:1	DWG NO.	REV: V0
 上海联捷电气有限公司 Shanghai Elinker Electric CO., LTD				TITLE	TB1-35XX-A-130-00A TB1-35A-成品