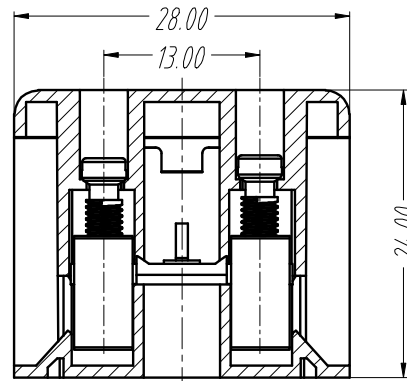
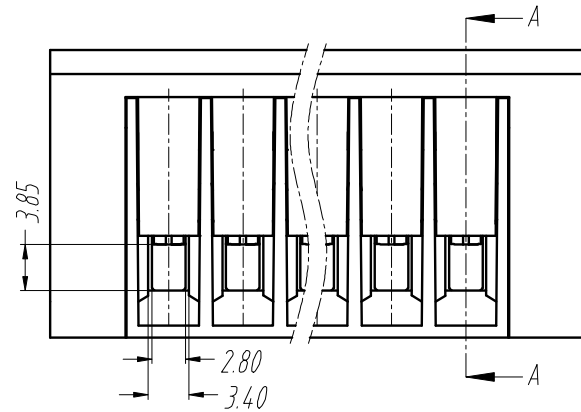
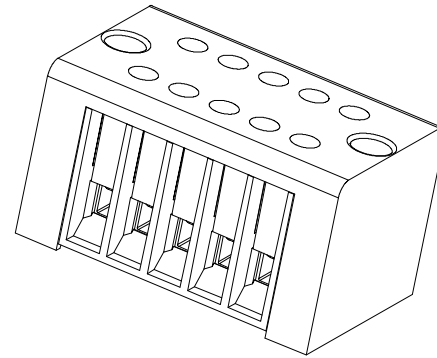
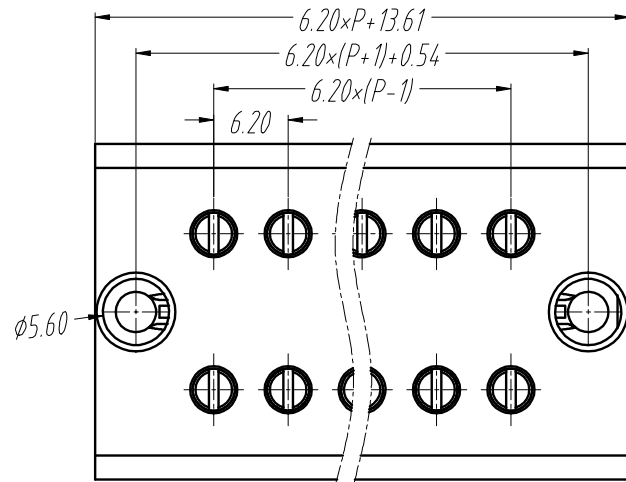


REVISION RECORD			
REV.	CONTENT	MOD.	DATE
①	新发行		



技术要求:
 极数: 组装
 额定电压: 660V
 额定电流: 20~41A
 螺钉类型/扭力: M3/0.6~0.8
 绝缘材料类型: PA66
 阻燃等级: V0
 刚柔性导线: 0.2~2.5mm²

	pitch dimension			Nominal dimension					— /
	over 0	over 6	over 10	over 0	over 30	over 60	over 100	over 150	
variable range	to 6	to 10	to 24	to 30	to 60	to 100	to 150		0.05/10
Tolerance	±0.1	±0.15	±0.25	±0.2	±0.3	±0.5	±0.7	±1.0	

5	UK2.5B-导电件	6005B00010V	P	黄铜	镀锌
4	UK2.5B-铜方块	F000000140V	2P	黄铜	镀锌
3	UK2.5B-螺丝	SSM0300070V	2P	碳钢	镀锌
2	H3803-盖板	4017C0YXXAV	1	PA66-V0	
1	H3803-本体	4017A0YXXAV	1	PA66-V0	
NO.	NAME OF PART	NO. OF PART	Q'TY	MATERIAL	NOTES
DBS.	HH	DATE	2019/06/06	UNITS	MM
CHK.		DATE		SIZE	A4
APP.		DATE		SCALE	1:1
				DWG NO.	SP-1-H380250
				REV:	V0
上海联捷电气有限公司 Shanghai Linker Electric Co., Ltd.				TITLE	H3803-XP-1Y-00A H3803-成品